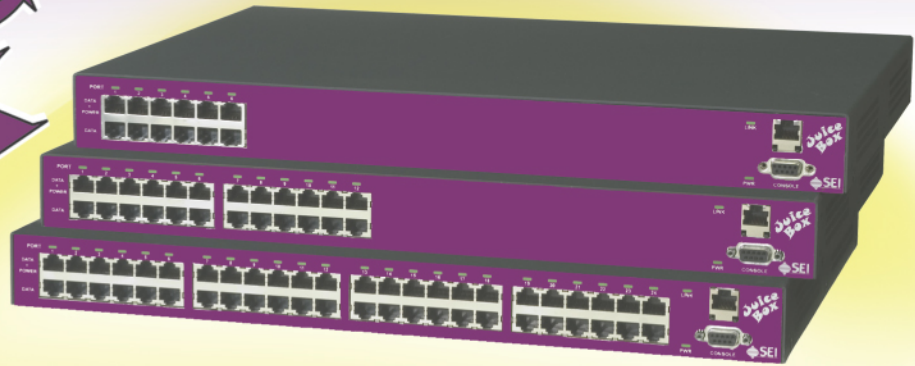


POWERover ETHERNET

**Juice
Box**



Fully IEEE 802.3af Compliant
Available with both web and SNMP Interfaces

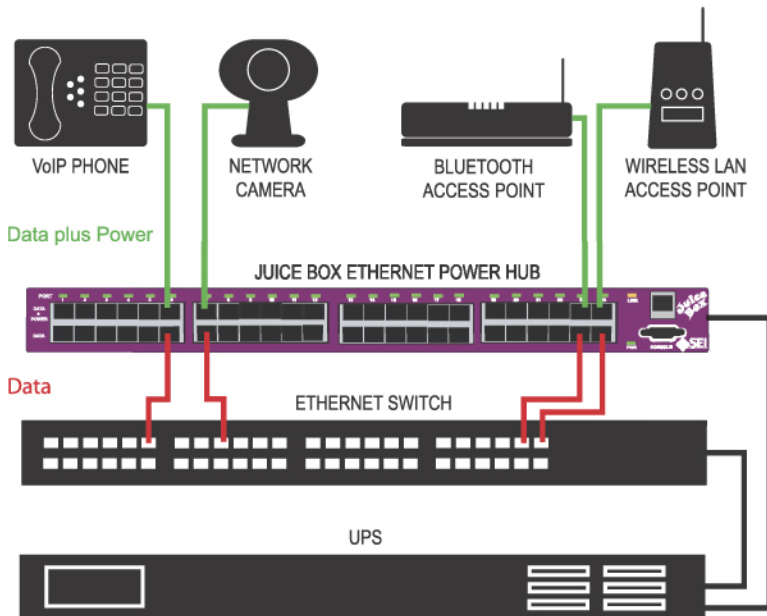
- 6, 12, and 24 Port Mid Span Power Hub
- Fully 802.3af Compliant
- Also powers legacy devices
- SNMP and Web Page Interface
- AC or DC Input Power
- 1U Rack Height
- Low Price per Port
- Made in the USA



Juice Box

The Juice Box is SEI's midspan Power over Ethernet solution for VoIP, Wireless Access Points, and other PoE applications. The Juice Box is fully compliant with the IEEE 802.3af Power over Ethernet standard, but will also provide power to many legacy devices. With the Juice Box there is no need to replace your existing Ethernet infrastructure to realize the advantages of Power over Ethernet.

The Juice Box eliminates multiple cables to networking devices by injecting power on the Ethernet cable. Installation costs as well as desk top and wall clutter are significantly reduced. In addition to eliminating multiple cables, the Juice Box allows centralized backup power for all connected devices. Centralized UPS backup is less expensive, more reliable and easier to maintain than individual UPS backup. The JuiceBox can be supplied with backup power from the existing Ethernet switch UPS or to increase reliability, with its own dedicated SEI supplied UPS.



Check to see if your devices are compliant with Power Over Ethernet. Click the "Compatible Devices" tab on the Juice Box web page. www.seipower.com

Features

- Fully compliant with the IEEE 802.3af Power over Ethernet standard.
- Powers non-802.3af legacy devices.
- AC or DC Input Power
- Available with or without WEB and SNMP interfaces.
- 1U chassis size.
- Status LEDs for AC power, network link, and DC port power.

Benefits

- Provides safe powering of your Ethernet based equipment.
- Requires minimum rack space.
- Easy configuration with simple WEB-based interface.
- SNMP interface allows integration into existing Network Management.
- Eliminates multiple cable runs.
- Allows centralized UPS backup.

Input Power

AC Input Models:

- Input Voltage: 85 VAC to 240 VAC
- Input Power: PH24: 275 Watts max
PH12: 230 Watts max
PH6: 115 Watts max

DC Input Models:

- Input Voltage: 46 VDC to 57 VDC
- Input Current: PH24DC : 8.8 amps max
PH12DC : 4.4 amps max
PH6DC : 2.2 amps max
- Input Connector: Molex 03-12-1036 housing with
18-12-1222 terminal

Output Power

- Fully IEEE 802.3af compliant
- Pin Assignments: 4/5 (+48Vdc), 7/8 (48 Vdc Rtn)
- Output Voltage: 48 Vdc nominal
- Output Power per Port: 15.4 Watts max
- Output Power Total: PH24DC: 382 Watts max
PH24: 220 Watts max
PH12, PH12DC: 191 Watts max
PH6, PH6DC : 96 Watts max
- Output Current: 10mA (min.) - 350mA (max)

Physical Characteristics

- Operating Temperature: +32°F to +104°F (+0°C to +40°C)
- Storage Temperature: -4°F to +122°F (-20°C to +50°C)
- Humidity: 0 to 95 % non-condensing
- Thermal Rating: PH12, PH24 : 150 BTU/hr max
PH6 : 75 BTU/hr max
PH12DC, PH24DC: 25 BTU/hr max
PH6DC: 12 BTU/hr max
- Dimensions: (W)19 in. x (D)12 in. x (H)1.75 in.
(W) 483 mm x (D) 305 mm x (H) 44 mm
- Weight: 9 lbs, 4.1 kg

Management

- LED: AC Power, Port Power, Ethernet Link10/100 mbps
- LED Indicators:
 - PORT
 - Green - Providing Power
 - Flashing Green - Valid signature detected but below specification power consumption.
 - Yellow - Fault
 - LINK
 - Green - When network connection is established.
 - Flashing Green - During network activity.
 - PWR
 - Green when Juice Box is powered.
- Connectors
 - Data: RJ45
 - Data + Power: RJ45
 - Network Interface: RJ45
 - Serial Interface: DB-9 (male)

Regulatory

- FCC Part 15 Class B
- UL 60950-1
- CAN/CSA 60950-1
- CE Mark

Ordering Information

Model	Description
■ PH24	24 Port, AC Powered, Serial & WEB/SNMP Interfaces
■ PH24-NN	24 Port, AC Powered, Serial Interface Only
■ PH12	12 Port, AC Powered, Serial & WEB/SNMP Interfaces
■ PH12-NN	12 Port, AC Powered, Serial Interface Only
■ PH6	6 Port, AC Powered, Serial & WEB/SNMP Interfaces
■ PH6-NN	6 Port, AC Powered, Serial Interface Only

(Models are also available with DC power input.)

Shipping Information

- Shipping Dimensions: 21 in. x 16.5 in. x 6.5 in. (530 mm x 420 mm x 165 mm)
- Shipping Weight: 10 lbs, 4.5 kg

Warranty: 2 years Made in the U S A

To order

301-694-9601 Sales@seipower.com



System Engineering International, Inc.
5115 Pegasus Court, Suite Q
Frederick, MD 21704
301.694.9601
Fax: 301.694.9608
Email: info@seipower.com
Web: www.seipower.com